

## Features

- Modern design.
- Ceramic sink with overflow.
- Water resistant exterior vanity panels.
- Soft-closing drawer.
- Lower storage shelf.
- Black cabinet handles.

## Material

- White ceramic integrated sink.
- Engineered wood vanity base.
- Engineered wood lower shelf.
- Matte black metal legs.

## Installation

- Floor standing installation.

## Configurations

- Single hole.
- Three hole (special order).

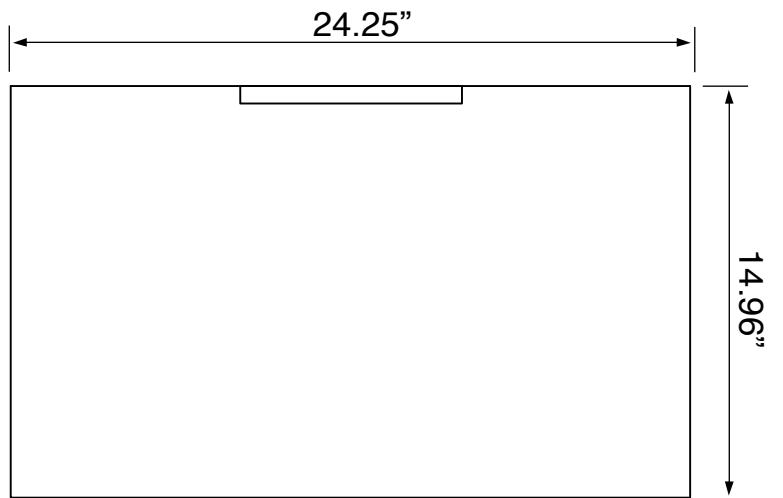
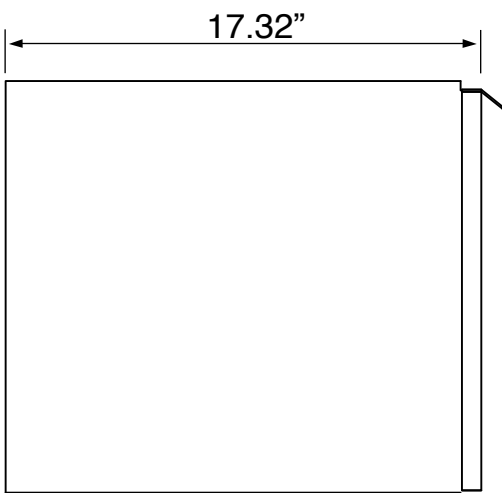
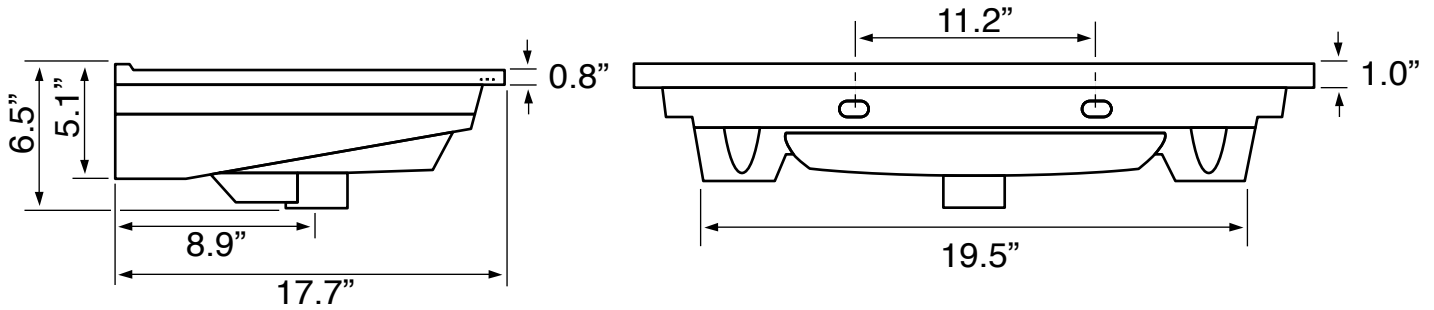
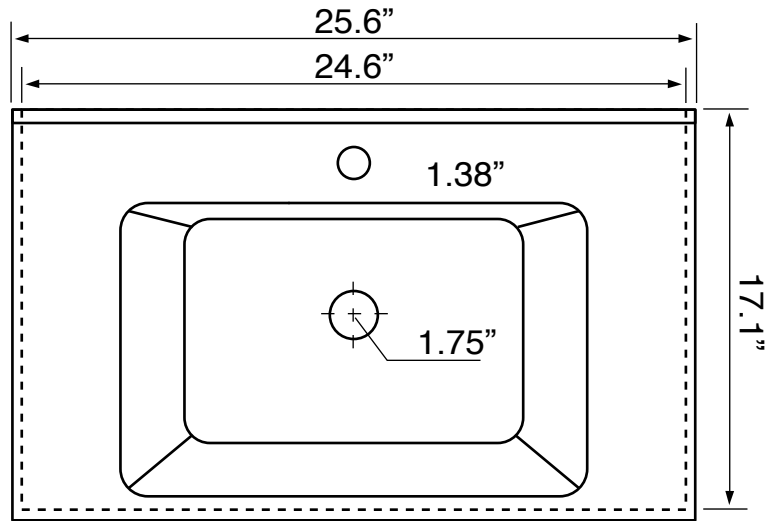


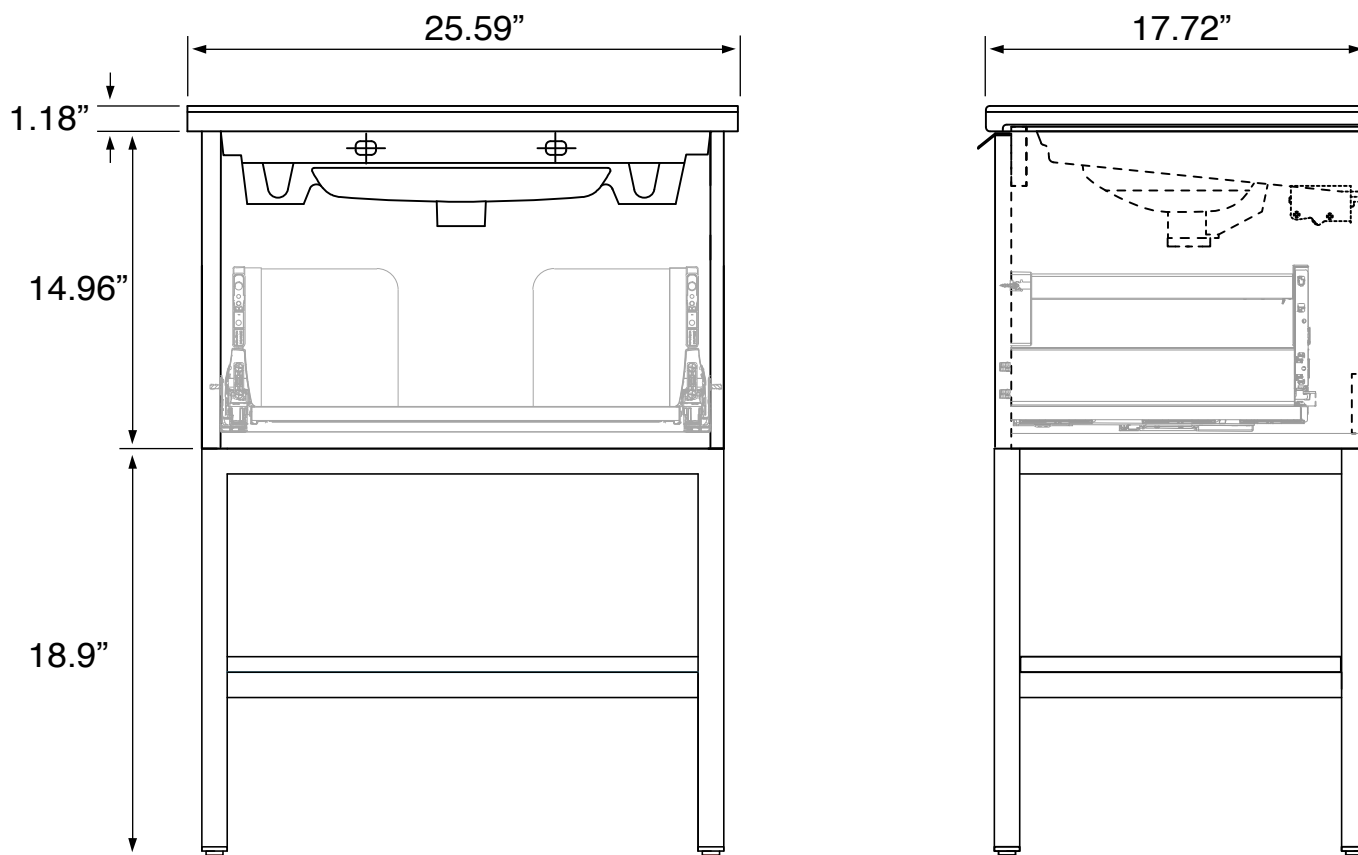
## Nameek's One-Year Limited Warranty

See website for warranty information details.

## Vanity Cabinet Color/Finish Details

Color	Description
	Brown Oak





## Technical Information

Bowl type:	Single
Installation:	Floor standing
Bowl dimensions:	Depth: 4.25"
	Width: 11.5"
	Length: 16.5"
Drain hole:	1.75"
Faucet hole:	1.38"
Hole configurations:	1, 3
Weight:	115 lbs

## Notes

Install this product according to the installation instructions.

Includes mounting hardware.